

HORIZONTAL CUTTER



Cut 600

Models

CUT 600 for Skin 570 A

The Cut has been planned for the separation of more objects, manufactured contemporarily in an only cycle, through a skin-pack system.

The cutter of our production are projected and manufactured in accordance to European Technical and Safety Rules and with special reference also to National Safety Rules, which we are listing on Conformity Certificate.

The horizontal cutter comes at the side of the skin, in alternative to the classical manual cutters, the ideal machine to have a complete line of skin-pack.

Main features

- ▶ Framework of welded steel sheets, duly treated and varnished with epossidig powder.
- ▶ Loading and unloading table with rollers to facilitate the working operations.
- ▶ Pressure roller adjustable with handle to adjust the various heights of the products (max passage height 130 mm).
- ▶ Barre saves hand to protect accidental.

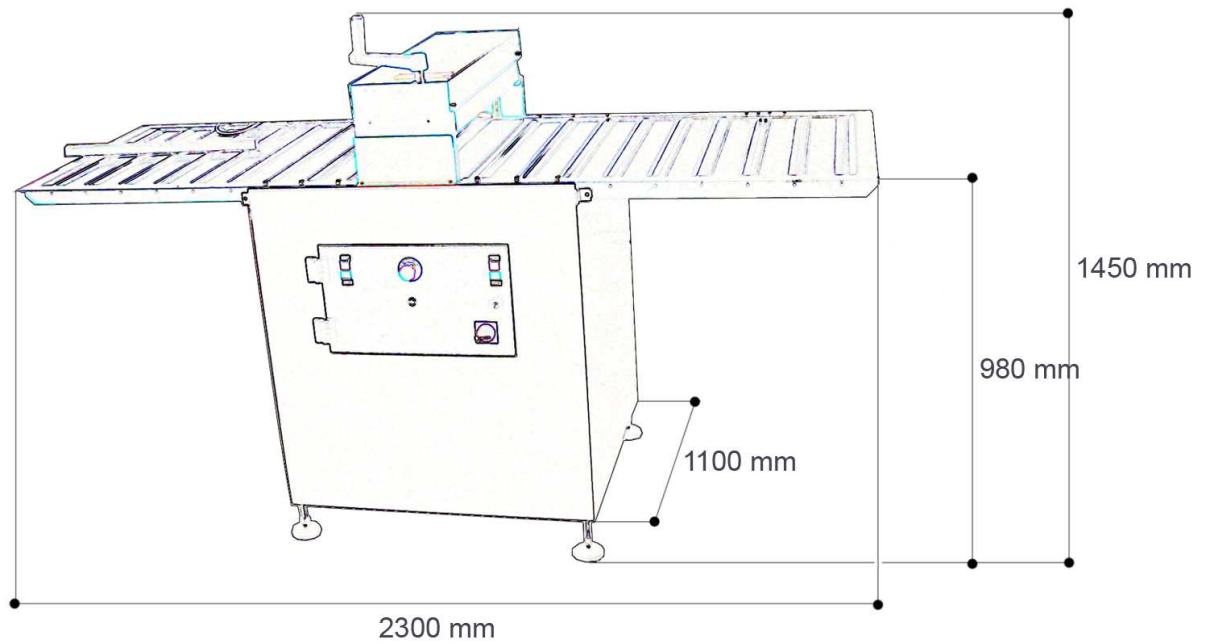
	CUT 600
Working surface dimension	650 x 900 mm
Max passage height	130 mm
Passage width	620 mm
Electric connection	220-380 V 3 Ph 1 Kw
Weight	320 kg.

All data are not engaging



Via Puccini, 10 20028 S.Vittore Olona
MILANO - ITALIA
Tel.+39.0331.421658 Fax +39.0331.511434
www.vimacor.it info@vimacor.it

HORIZONTAL CUTTER



Via Puccini, 10 20028 S.Vittore Olona
MILANO - ITALIA
Tel.+39.0331.421658 Fax +39.0331.511434
www.vimacor.it info@vimacor.it